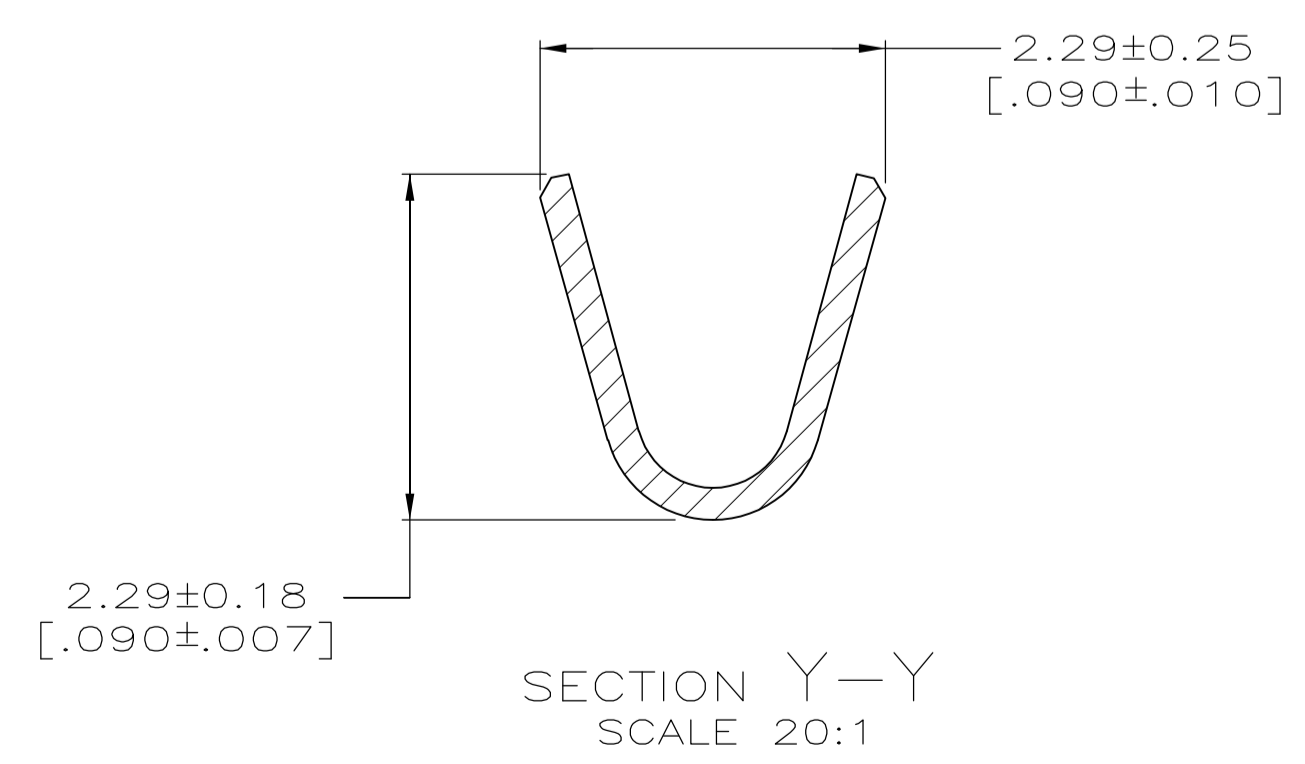
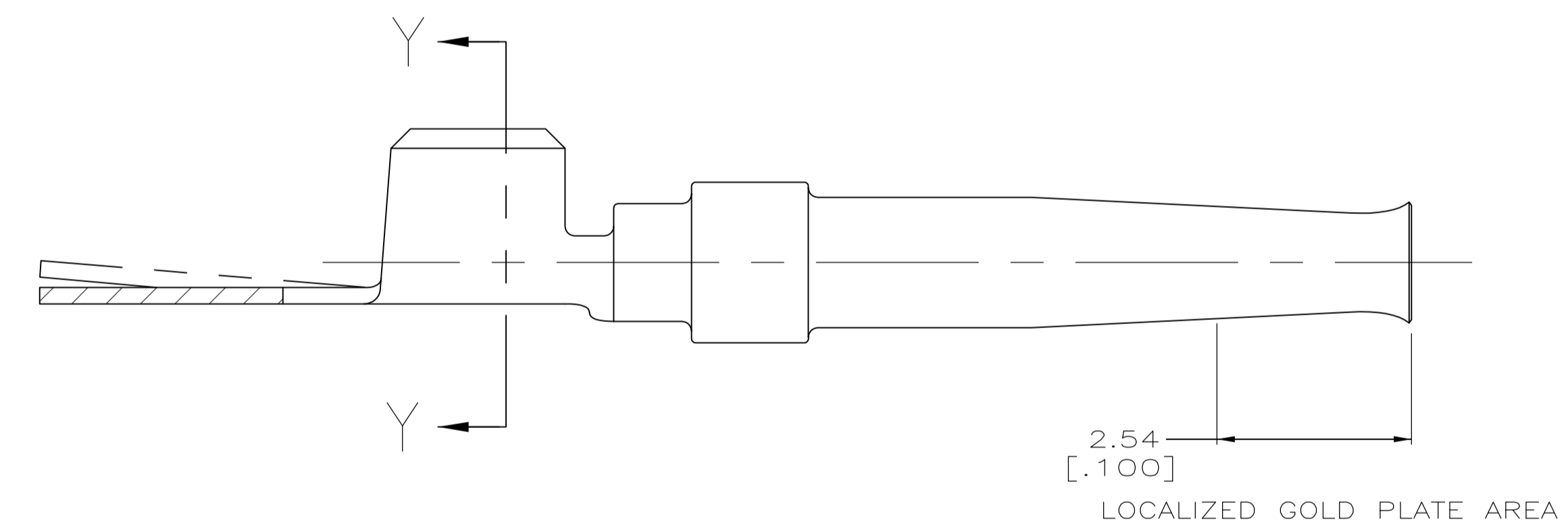
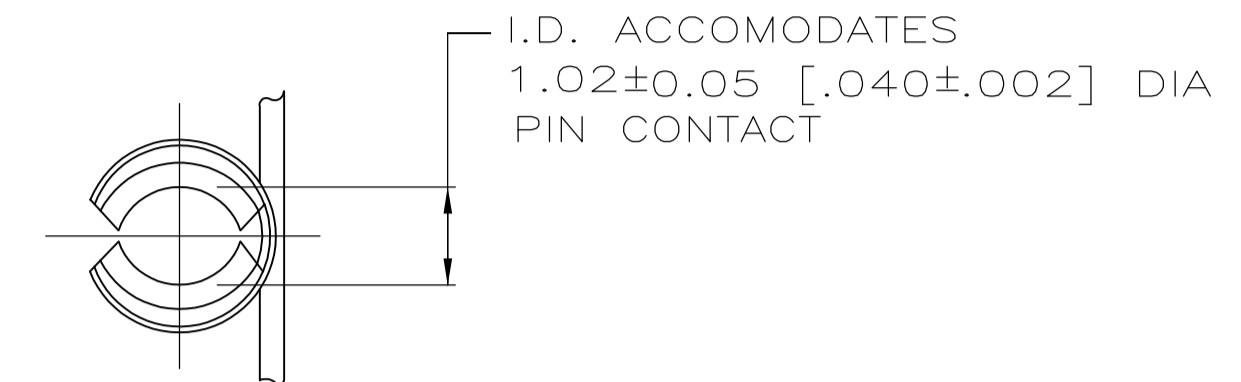
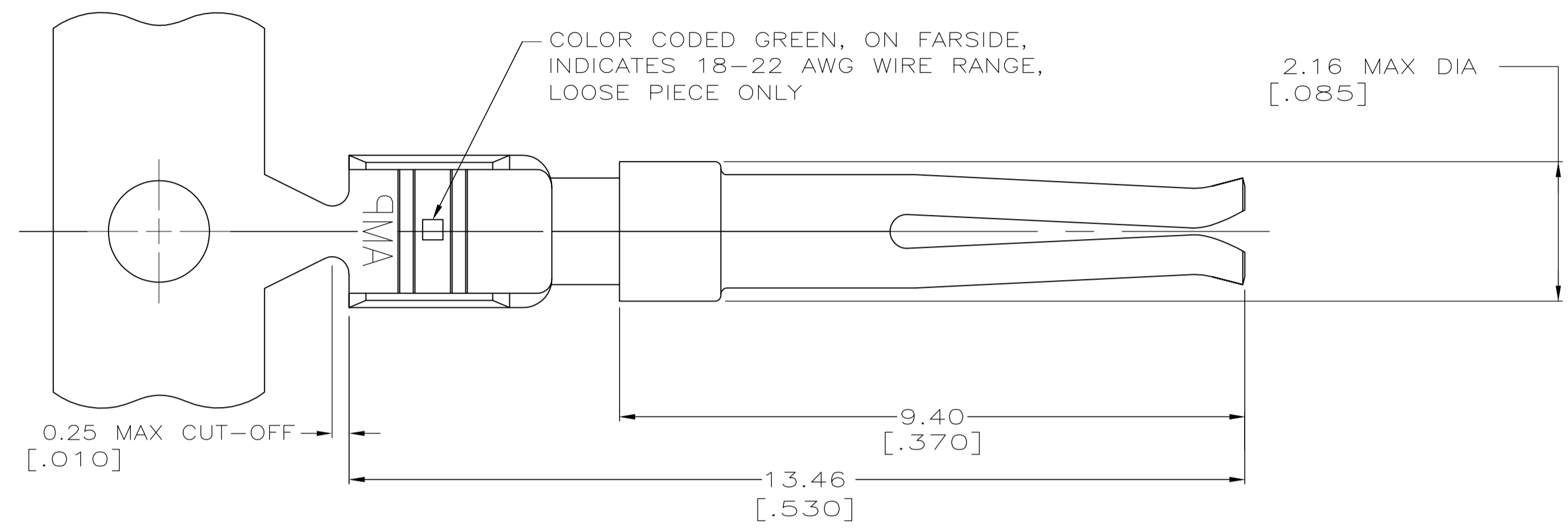


LOC		DIST		REVISIONS			
GP	00	REV	DATE	BY	CHK	APPV	
G1		REVISED PER ECO-11-004835	11MAR11	RK	HMR		



- 1 FOR MINI-APPLICATOR.
- 2 PLATED WITH 0.76μm [.000030] GOLD ON INSIDE OF LOCALIZED GOLD PLATE AREA, GOLD FLASH ON REMAINDER, ALL OVER 1.27μm [.000050] NICKEL UNDERPLATE.  
-OR-  
GOLD FLASH OVER PALLADIUM-NICKEL 0.76μm [.000030] TOTAL ON INSIDE OF LOCALIZED GOLD PLATE AREA, GOLD FLASH ON REMAINDER, ALL OVER 1.27μm [.000050] NICKEL UNDERPLATE.
- 3 GOLD FLASH PER MIL-G-45204 ON INSIDE OF LOCALIZED GOLD PLATE AREA, GOLD FLASH PER MIL-G-45204 ON REMAINDER, ALL OVER 0.76μm [.000030] NICKEL UNDERPLATE PER QQ-N-290.
- 4 CARRIER STRIP MAY NOT BE GOLD PLATED.
- 5. MAX. INSULATION DIAMETER ALLOWABLE FOR EXTRACTING CONTACT FROM CONNECTOR WITH 91067-2 TOOL IS 1.73 [.068].
- 6 PLATED GOLD FLASH PER MIL-G-45204 ON MATING END FOR LENGTH OF 2.54 [.100] TIN PLATED WIRE BARRELS, ALL OVER 0.76μm [.000030] NICKEL PER QQ-N-290.
- 7 SELECTIVE GOLD PLATED 0.76μm [.000030] THICK PER MIL-G-45204 ON MATING END FOR LENGTH OF 2.54 [.100] TIN PLATED WIRE BARRELS, ALL OVER 1.27 [.000050] NICKEL PER QQ-N-290.
- 8 LOOSE PIECE PART NUMBERS ARE COLOR CODED.
- 9 OBSOLETE

1-745230-3	1-745230-1	
1-745230-0	745230-8	
745230-7	745230-5	
745230-4	745230-2	
FINISH	LOOSE PIECE PART NO	PART NUMBER

THIS DRAWING IS A CONTROLLED DOCUMENT.

DIMENSIONS: mm [INCHES]	TOLERANCES UNLESS OTHERWISE SPECIFIED:	DIN W. ZELKO 10-3-80	CHK R. BAER 11-3-80	APPROV R. LEHMAN 11-5-80	NAME
0 PLC ± -	1 PLC ± -	2 PLC ± 0.13 [.005]	3 PLC ± -	4 PLC ± -	ANGLES ± -
MATERIAL PHOS BRONZE	FINISH SEE TABLE	WEIGHT	SIZE A1	CAGE CODE 00779	DRAWING NO C=745230

CONTACT, SOCKET, SIZE 20 DF, 18-22 AWG

CUSTOMER DRAWING SCALE 15:1 SHEET 1 OF 1 REV G1